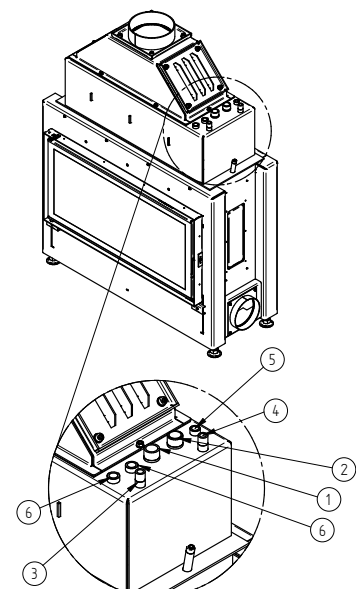


Technical data

	operation when directly connected to chimney	
	HAKA 89/45WT(h)	HAKA 89/45WT(h)+
Energy label	A+	A+
Operating data		
Nominal heat power / Power absorbed to water	10 / 5,6 kW	20 / 10,4 kW
Efficiency	> 80 %	> 80 %
Consumption of wood	3 kg/h	6 kg/h
Mass flow of flue gas	9,4 g/s	15,8 g/s
Required chimney pressure	12 Pa	12 Pa
Required amount of combustion air	30 m³/h	55 m³/h
Average flue gas temperature		
on the output	201 °C	232 °C
Heat distribution		
fireplace insert	9 %	10 %
door glass (single / double)	0 / 35 %	0 / 38 %
water	56 %	52 %
Water exchanger specifications		
Maximum working pressure	2,5 bar	2,5 bar
Minimum return water temperature	60 °C	60 °C
Water capacity	47 liters	47 liters
Connection input / output	1" / 1"	1" / 1"
Information for builds		
Minimal grill area supply / outgoing (with vent. grill)	250 / 300 cm²	350 / 400 cm²
Minimum radiant area ³ (without vent. grill)	suitable	suitable
Minimum distance from insulated areas / floor	40 / 0 mm	40 / 0 mm
Reference insulation ¹ ceiling / back wall / side wall / floor	100 / - / 60 / 0 mm	120 / - / 80 / 0 mm
Calciumsilicate insulation ² ceiling / back wall / side wall / floor	75 / - / 45 / 0 mm	90 / - / 60 / 0 mm
General technical information		
Total weight / lining weight	305–420 / 100 kg	
Burning chamber dimensions (width x depth)	810 x 315 mm	
Combustion air connection	Ø 125 mm	Ø 150 mm
Use in non-ventilated accumulation builds according to craft rules	suitable ⁴	
Tested according to	EN 13229	
Meets values	1. BlmSchV (Stufe2), 15a BVG	

Nr.	Thread size	Description
1	G 1" (AG)	Water supply from heating system - min. 60 °C
2	G 1" (AG)	Hot water supply to heating system
3	G 1/2" (AG)	Water supply from the waterlines into the cooling loop
4	G 1/2" (AG)	Discharge of water from the cooling loop into the waste
5	G 3/8" (IG)	Pocket for air vent valve
6	G 1/2" (IG)	Pocket for thermal sensors

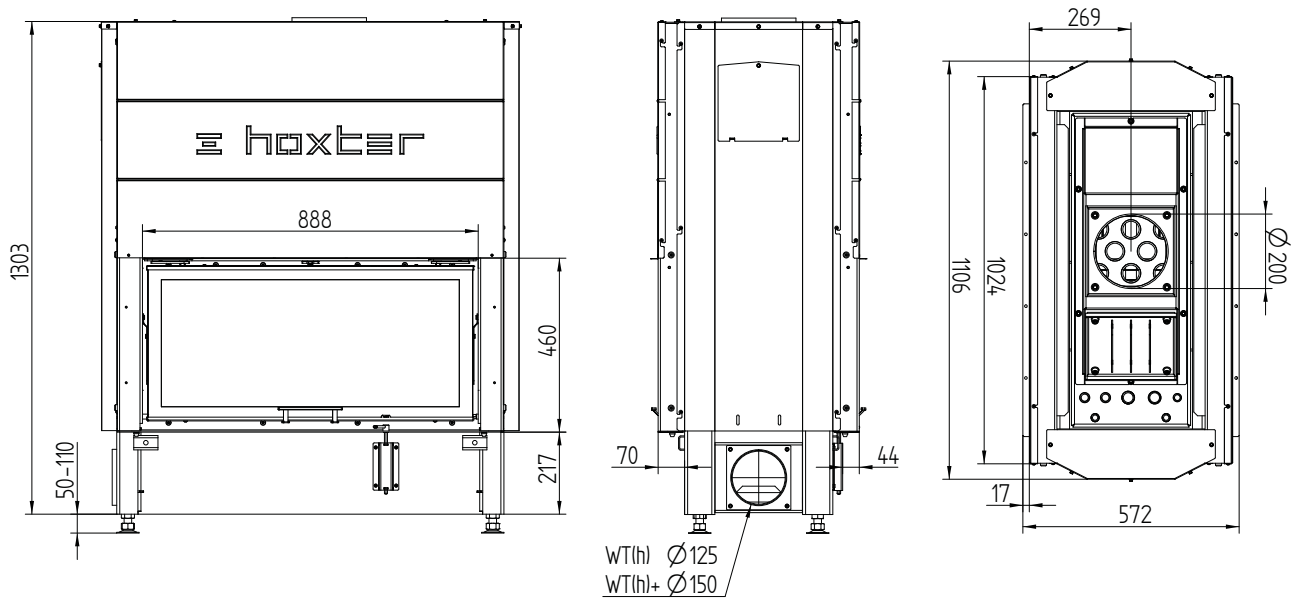
- 1 Mineral wool according to AGI-Q 132
- 2 Example SkamoEnclosure Board 225 kg/m³
- 3 Depends on accumulation period and material characteristics. Listed values calculated with average specific heat output = approx. 500 W/m²
- 4 With regard to the inspection capability and maximum ambient temperatures of the external switching devices (e.g. TAS/SV)



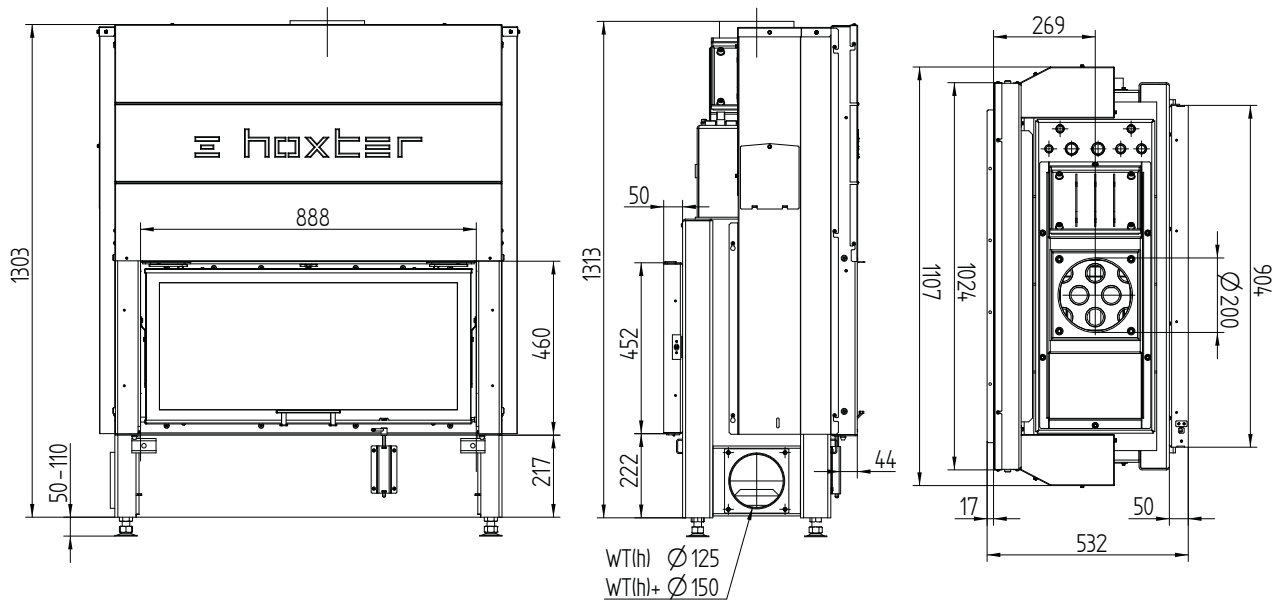
HAKA 89/45WT

Technical data
Version 09/2023

HAKA 89/45W tunnel, HAKA 89/45W tunnel extra power+ door version liftdoor / liftdoor



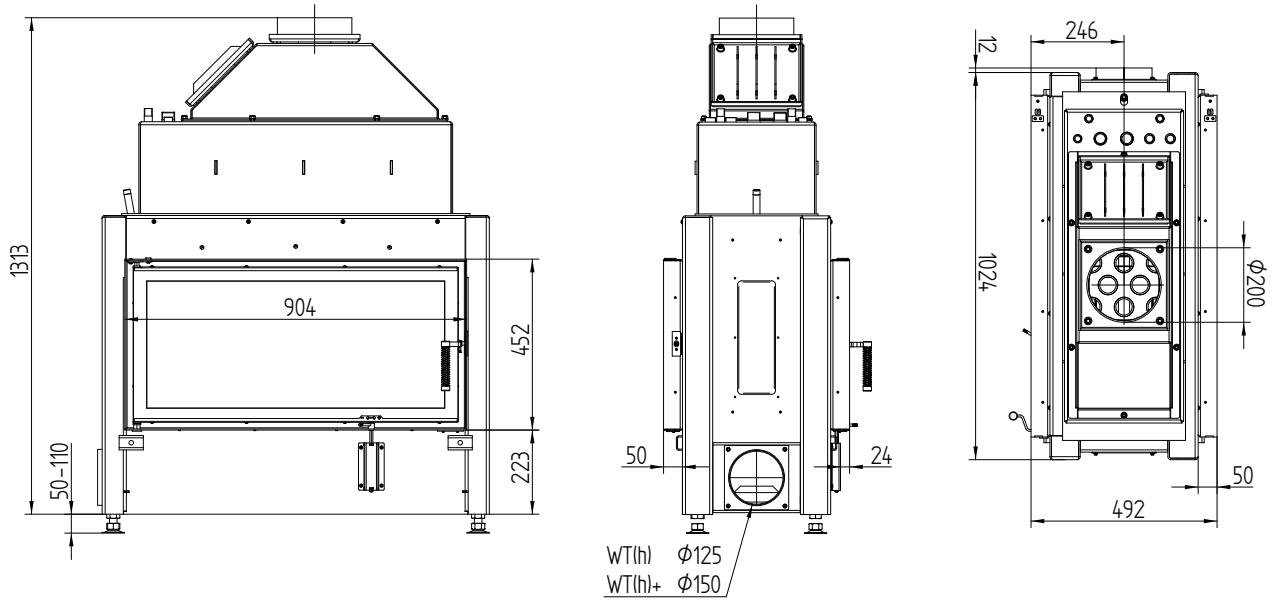
HAKA 89/45W tunnel, HAKA 89/45W tunnel extra power+ door version liftdoor / side opening



HAKA 89/45WT

Technical data
Version 09/2023

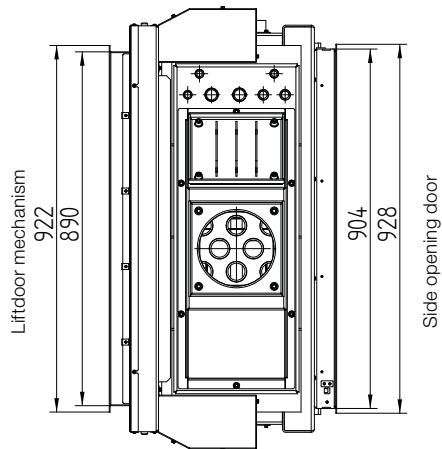
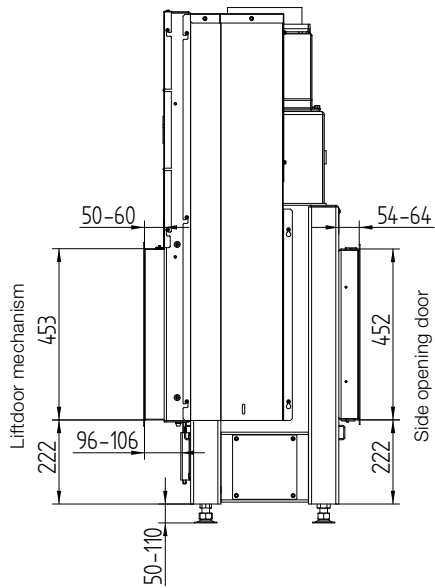
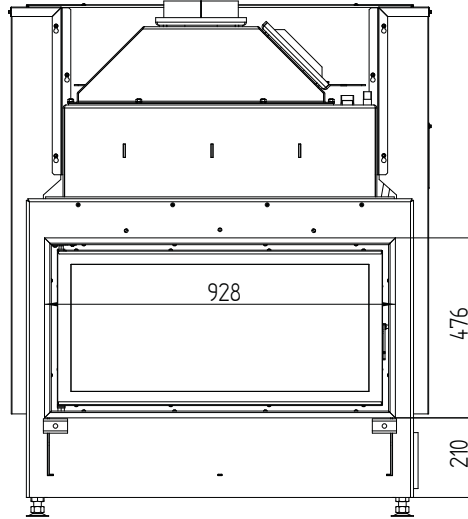
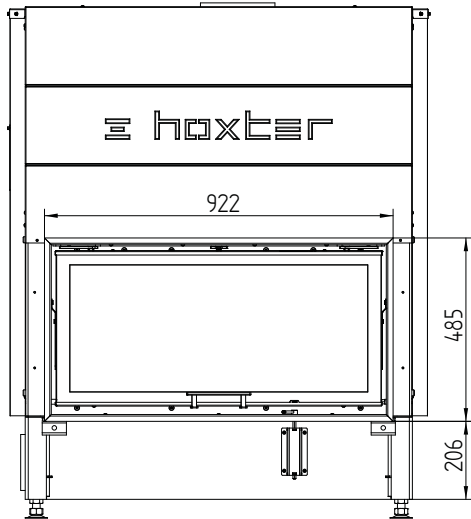
HAKA 89/45W tunnel, HAKA 89/45W tunnel extra power+ door version side opening / side opening



HAKA 89/45WT

Technical data
Version 09/2023

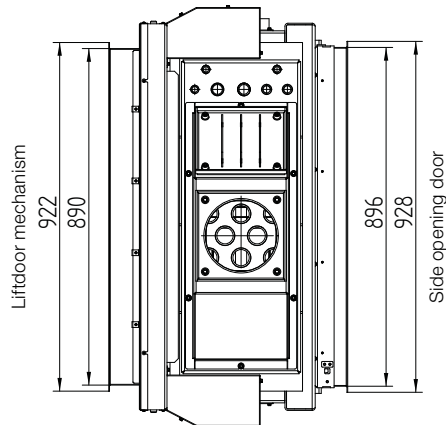
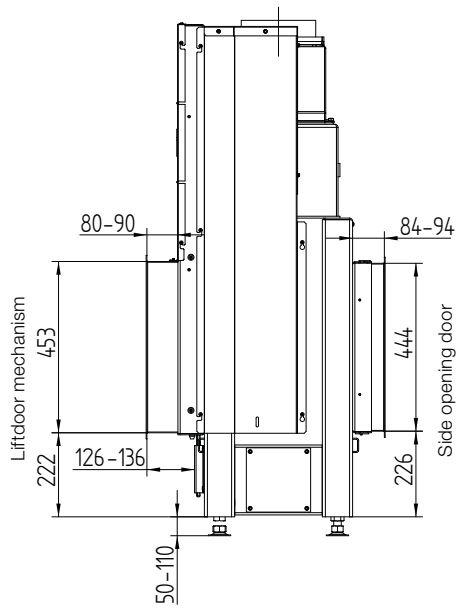
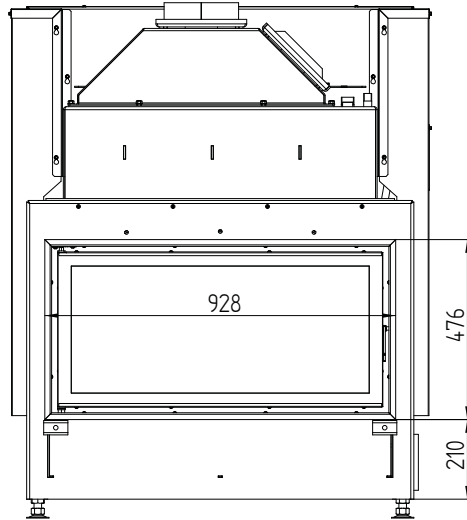
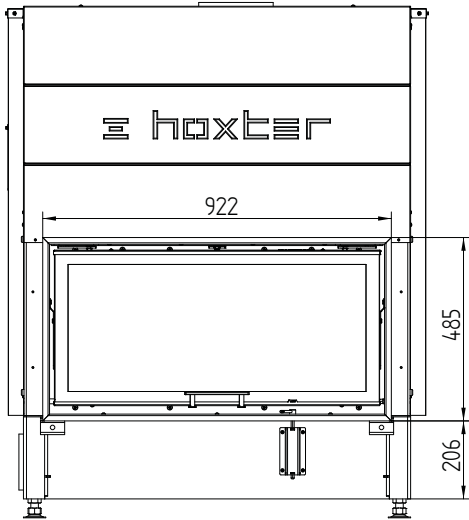
Cover frame 89/45h liftdoor 4sides 50 mm 1 x 90°



HAKA 89/45WT

Technical data
Version 09/2023

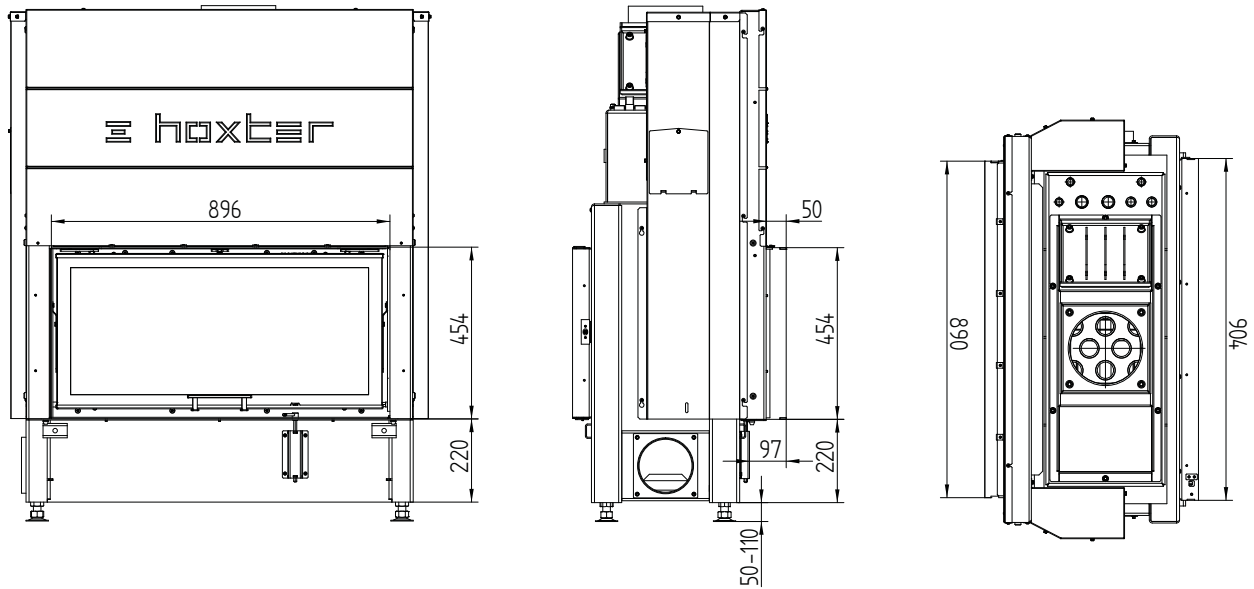
Cover frame 89/45h liftdoor 4sides 80 mm 1 x 90°



HAKA 89/45WT

Technical data
Version 09/2023

Build-on frame 89/45h liftdoor 4sides 50 mm Liftdoor mechanism



Build-on frame 89/45h liftdoor 4sides 80 mm

